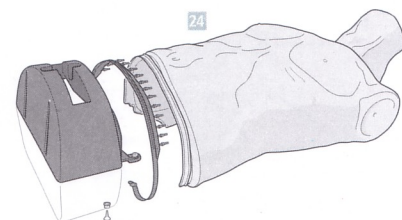
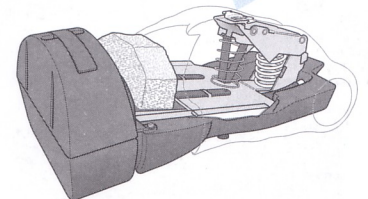
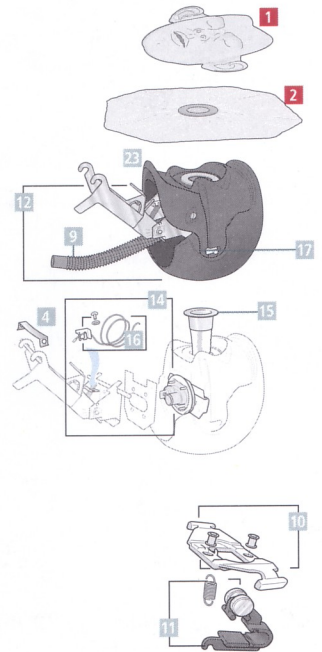
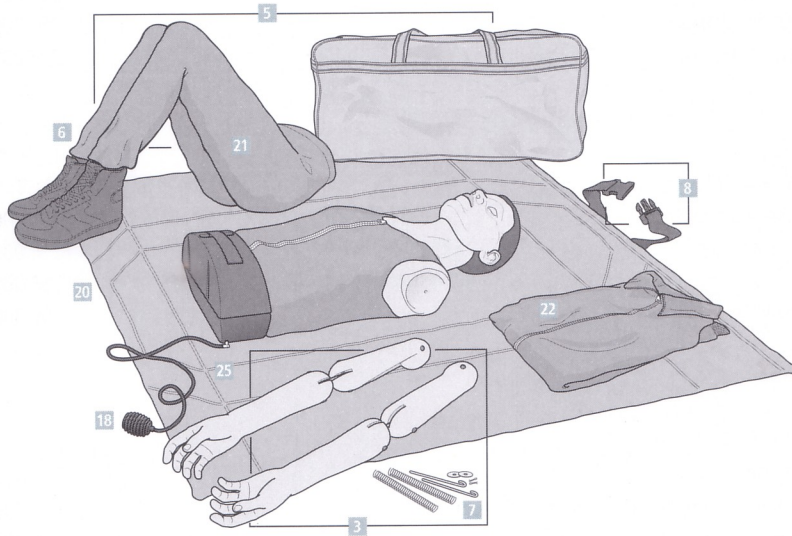


Ambu[®] Man

Ambu[®] Defib Trainer System



ACCESSORIES

- 1 Set of 5 face pieces
- 2 Set of 100 head bags

CAT. NO.

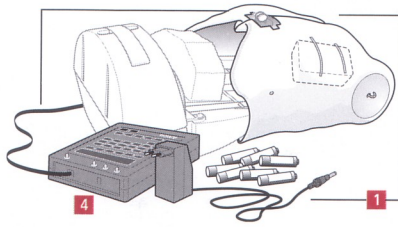
234 000 703
234 000 702

SPARE PARTS

- 3 Arms
- 4 Locking device for rocker level
- 5 Update Kit with new legs, trousers, transport bag, two velcro straps, drill template and instruction
- 6 Ambu Manikins legs, new type with velcro with trousers and bag
- 7 Spare parts kit for replacing one arm
- 8 Strap for Ambu Man training mattress
- 9 Neck tube
- 10 Holder with two pop rivets
- 11 Hand positioning thrust roller
- 12 Head, complete with mounting and neck tube
- 14 Airway valve in head, complete
- 15 Elastic net with bushing
- 16 Nylon string in neck
- 17 Ear plug for Ambu Man min. 10 pcs.
- 18 Pulse bellows with nipple
- 20 Carrying bag/training mat
- 21 Trousers
- 22 Sweatshirt for Ambu Man
- 23 Lower jaw with two screws
- 24 Chest skin, manufactured
- 25 L-Shaped connector min. 10 pcs.

CAT. NO.

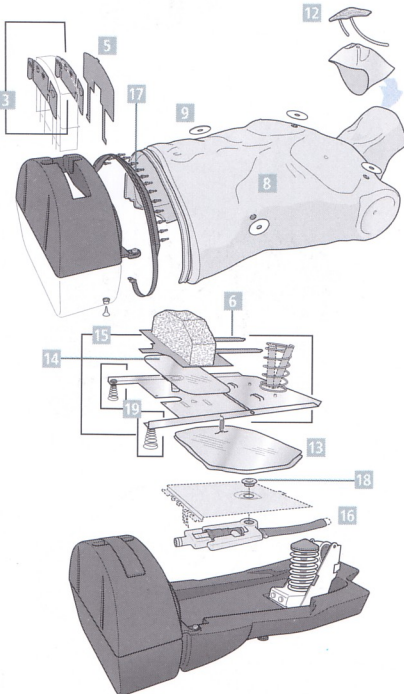
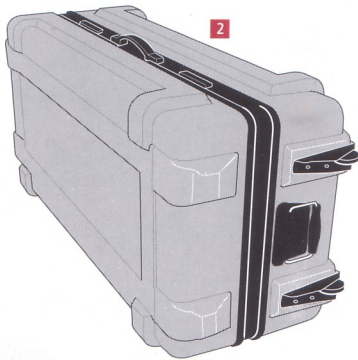
234 000 704
234 000 564
234 000 787
234 000 786
234 000 528
234 000 537
234 000 563
234 000 505
234 000 508
234 000 509
234 000 503
234 000 501
234 000 523
234 000 565
234 000 527
234 000 789
234 000 792
234 000 790
234 000 502
234 000 570
234 000 571



ACCESSORIES

CAT. NO.

1	Update kit for all Ambu Man incl Ambu ECG Box, adapter, batteries, cable, new chest shells with built in electrodes and resistance box	234 000 719
2	Hard blue suitcase	266 000 523
3	Scale plates, Guidelines 2000	234 000 741
3	Scale plates different guidelines	234 000 742
4	Ambu ECG BOX	284 000 730



SPARE PARTS

CAT. NO.

5	Cover plate for instrument	234 000 568
6	Cover plate for stomach bag	234 000 512
8	Chest skin for Defib Trainer	266 000 516
9	Dummy electrode min. 4 pcs.	266 000 512
12	Carotid pulse bag	234 000 507
13	Lung bag	234 000 566
14	Stomach bag with holder	234 000 522
15	Stomach plate, complete	234 000 510
16	Stomach valve with tubes	234 000 513
17	Mounting kit for expansion belt	234 000 541
18	Silicone bushing for lung bag min. 5 pcs.	234 000 567
19	Bushing, set of two, with springs for stomach plate	234 000 511